

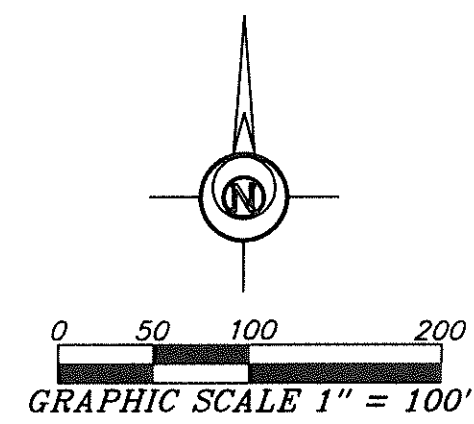
MATTHEW FRONK, ETAL
 OR VOL 378 - PG 2032 (TRACT 3)
 GREGORY L. FRONK
 OR VOL 403 - PG 2133
 6.519 ACRES (RECORDED)
 PN. C17-0024-0-001-01
 SURVEY VOL. 07-24-19 (6.519 AC.)

JOSEPH R. & JUDITH A. SPEISER, TRUSTEES 13.481 ACRES (RECORDED)
 OR VOL 26 - PG 36 (PARCEL 1) PN. C17-0024-0-001-00
 PT. N 1/2, NW 1/4, NE 1/4, SEC. 24

CAROL L. BOHN
 OR VOL 123 - PG 723 (TRACT 2)
 20 ACRES (RECORDED)
 PN. C17-0024-0-008-08
 PT. SURVEY VOL. 07-24-11, 07-24-12, 07-24-13 & 07-24-17 (20.681 AC.)
 S 1/2, NW 1/4, NE 1/4, SEC. 24

6.000 ACRES
 PT. PN. C17-0024-0-008-08

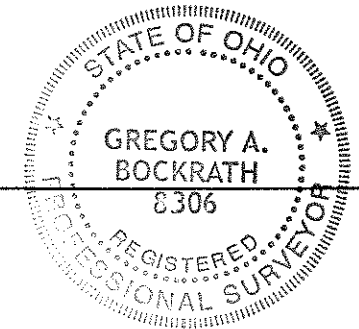
MATTHEW FRONK, ETAL
 OR VOL 378 - PG 2032 (TRACT 1)
 GREGORY L. FRONK
 OR VOL 403 - PG 2133
 74.684 ACRES (RECORDED)
 PN. C17-0024-0-002-01
 SURVEY VOL. 07-24-21 (74.684 AC.)
 PT. S 1/2, NE 1/4, SEC. 24



- LEGEND**
- 5/8 INCH REBAR WITH ID CAP SET
 - 1/2 INCH REBAR FOUND
 - ⊗ RAILROAD SPIKE FOUND
 - MAG MAG NAIL SET
 - MAG-FD MAG NAIL FOUND
 - POB POINT OF BEGINNING
 - POC POINT OF COMMENCEMENT

NOTE: SURVEY BEARINGS BASED ON OHIO NORTH ZONE STATE PLANE COORDINATES OBTAINED FROM THE OHIO DOT VRS NETWORK

THIS SURVEY WAS PERFORMED WITHOUT THE BENEFIT OF A TITLE EXAMINATION. BEYOND THE DEED DOCUMENTS CITED ON THE SURVEY DRAWING THERE MAY BE RECORDED OR UNRECORDED EASEMENTS AND/OR ENCUMBRANCES BENEFITING OR ENCUMBERING THE SURVEYED PROPERTY WHICH ARE NOT SHOWN ON THIS DRAWING.

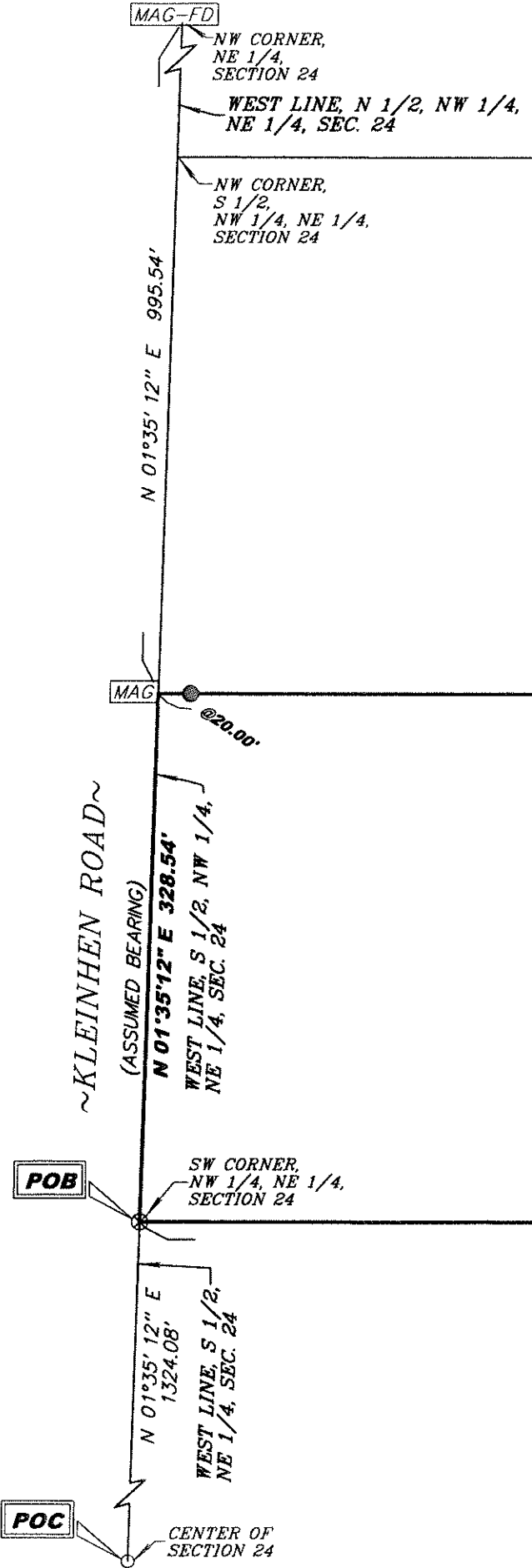


I HEREBY CERTIFY THIS TO BE A SURVEY MADE UNDER MY SUPERVISION AND THAT THE MONUMENTS ARE FOUND AND/OR SET AS INDICATED.

5-9-17
 Date

Gregory A. Bockrath
 Gregory A. Bockrath, P.S.
 Registered Surveyor No. 8306.
 115 S. Fair Avenue, Suite A
 Ottawa, Ohio 45875
 419-523-5789

SURVEY PLAT FOR: TYLER ROSEBROCK	
PART OF THE S 1/2 OF THE NW 1/4 OF THE NE 1/4 OF SECTION 24, T4N - R3E, DELAWARE TOWNSHIP, DEFIANCE COUNTY, OHIO 07-24-35	
BOCKRATH & ASSOCIATES ENGINEERING and SURVEYING, LLC 115 S. FAIR AVENUE SUITE A - OTTAWA, OH 45875 PHONE: 419-523-5789 - FAX: 419-523-5799	
1	1



(1356.09' SR 07-24-11, 12, 13 & 17)
 NORTH LINE, S 1/2, NW 1/4, NE 1/4, SEC. 24

SOUTH LINE, NW 1/4, NE 1/4, SEC. 24
 N 89°53'38" W 795.79'
 (1367.19' SR 07-24-11, 12, 13 & 17)

WEST LINE, N 1/2, NW 1/4, NE 1/4, SEC. 24
 N 01°35'12" E 995.54'

WEST LINE, S 1/2, NW 1/4, NE 1/4, SEC. 24
 N 01°35'12" E 328.54'

S 01°35'12" W 328.54'

S 89°53'38" E 795.79'

SW CORNER, NW 1/4, NE 1/4, SECTION 24

SE CORNER, NW 1/4, NE 1/4, SECTION 24

MAG-FD
 NW CORNER, NE 1/4, SECTION 24

NE CORNER, S 1/2, NW 1/4, NE 1/4, SECTION 24

POC
 CENTER OF SECTION 24