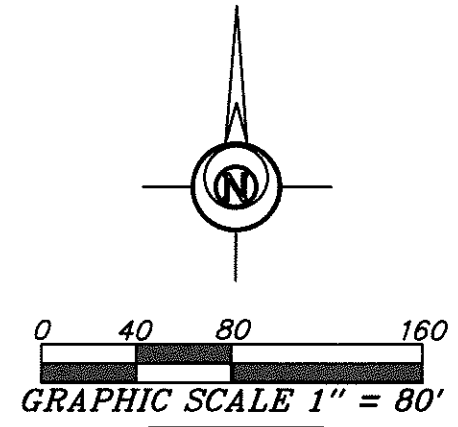


ELLEN LONGSWORTH
 DV 278-PG 237
 18.00 AC. (PER TAX RECORD)
 PARCEL E20-0015-0-008-00

S 88°34'28" E 697.54'

1/2" REBAR FOUND



LEGEND

- ⊙ 5/8 INCH REBAR WITH ID CAP FOUND
- 1/2 INCH REBAR FOUND
- ⊗ RAILROAD SPIKE FOUND
- POB POINT OF BEGINNING
- POC POINT OF COMMENCEMENT

NOTE: SURVEY BEARINGS BASED ON OHIO NORTH ZONE STATE PLANE COORDINATES OBTAINED FROM THE OHIO DOT VRS NETWORK

HICKSVILLE EXEMPTED
 VILLAGE SCHOOL DISTRICT
 BOARD OF EDUCATION
 OR VOL 306-PG 651
 2.423 AC. (PER TAX RECORD)
 PARCEL E20-0015-0-010-02
 SURVEY VOL 12-15-15 (2.423 AC.)

8.452 ACRES

PT. PARCEL E20-0015-0-010-01

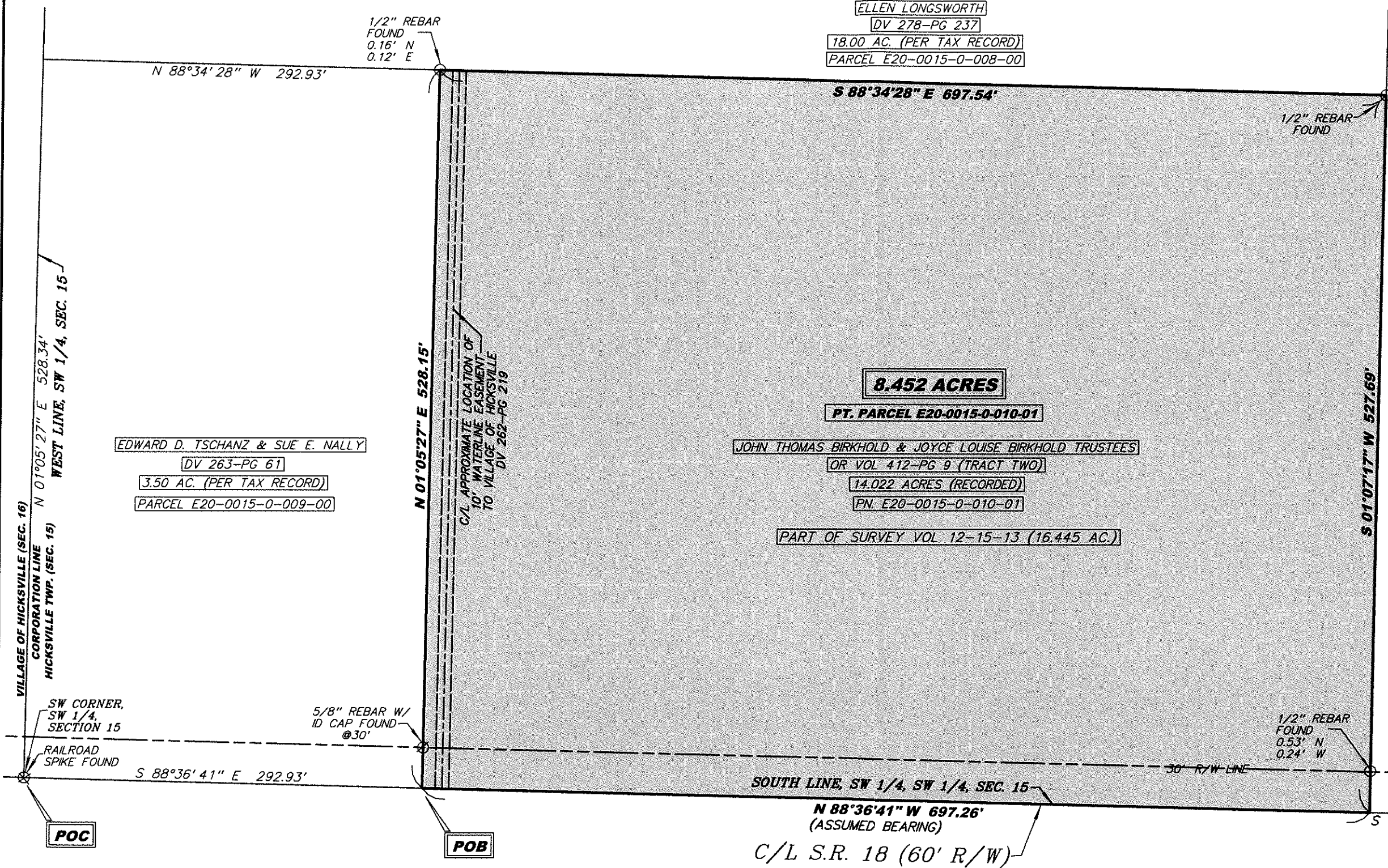
JOHN THOMAS BIRKHOLOLD & JOYCE LOUISE BIRKHOLOLD TRUSTEES
 OR VOL 412-PG 9 (TRACT TWO)
 14.022 ACRES (RECORDED)
 PN. E20-0015-0-010-01
 PART OF SURVEY VOL 12-15-13 (16.445 AC.)

1/2" REBAR FOUND
 0.16' N
 0.12' E

1/2" REBAR FOUND
 1.22' S
 0.97' E

1/2" REBAR FOUND
 0.53' N
 0.24' W

1/2" REBAR FOUND
 0.07' S
 0.35' W



EDWARD D. TSCHANZ & SUE E. NALLY
 DV 263-PG 61
 3.50 AC. (PER TAX RECORD)
 PARCEL E20-0015-0-009-00

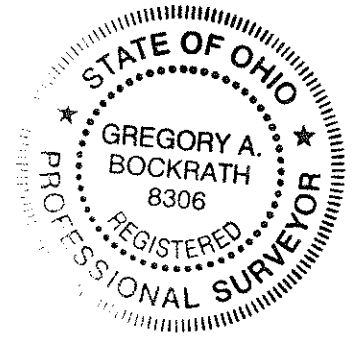
VILLAGE OF HICKSVILLE (SEC. 16)
 CORPORATION LINE
 HICKSVILLE TWP. (SEC. 15)

SW CORNER, SW 1/4, SECTION 15

RAILROAD SPIKE FOUND

POC

POB



I HEREBY CERTIFY THIS TO BE A SURVEY MADE UNDER MY SUPERVISION AND THAT THE MONUMENTS ARE FOUND AND/OR SET AS INDICATED.

10-11-21
 Date

Gregory A. Bockrath
 Gregory A. Bockrath, P.S.
 Registered Surveyor No. 8306.
 115 S. Fair Avenue, Suite A
 Ottawa, Ohio 45875
 419-523-5789

THIS SURVEY WAS PERFORMED WITHOUT THE BENEFIT OF A TITLE EXAMINATION. BEYOND THE DEED DOCUMENTS CITED ON THE SURVEY DRAWING THERE MAY BE RECORDED OR UNRECORDED EASEMENTS AND/OR ENCUMBRANCES BENEFITING OR ENCUMBERING THE SURVEYED PROPERTY WHICH ARE NOT SHOWN ON THIS DRAWING.

SURVEY PLAT FOR:	
VANCREST	
PART OF THE SW 1/4 OF THE SW 1/4 OF SECTION 15, T4N - R1E, HICKSVILLE TOWNSHIP, DEFIANCE COUNTY, OHIO	
BOCKRATH & ASSOCIATES ENGINEERING and SURVEYING, LLC 115 S. FAIR AVENUE SUITE A - OTTAWA, OH 45875 PHONE: 419-523-5789 - FAX: 419-523-5799	1 1

FILENAME: 21-156_Plat_tlp-10-5-21.scj DATE: 10/5/21