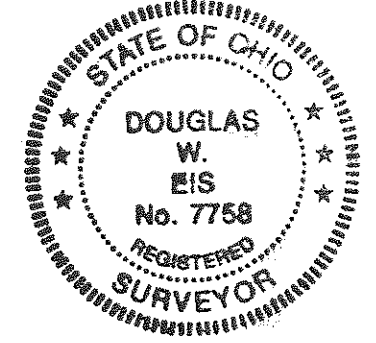
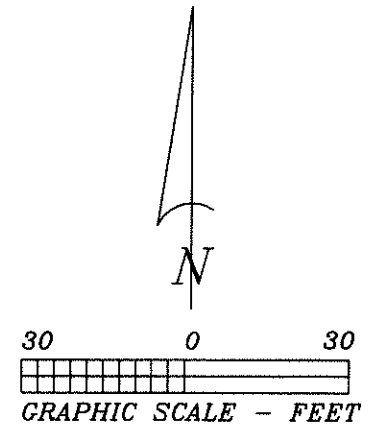
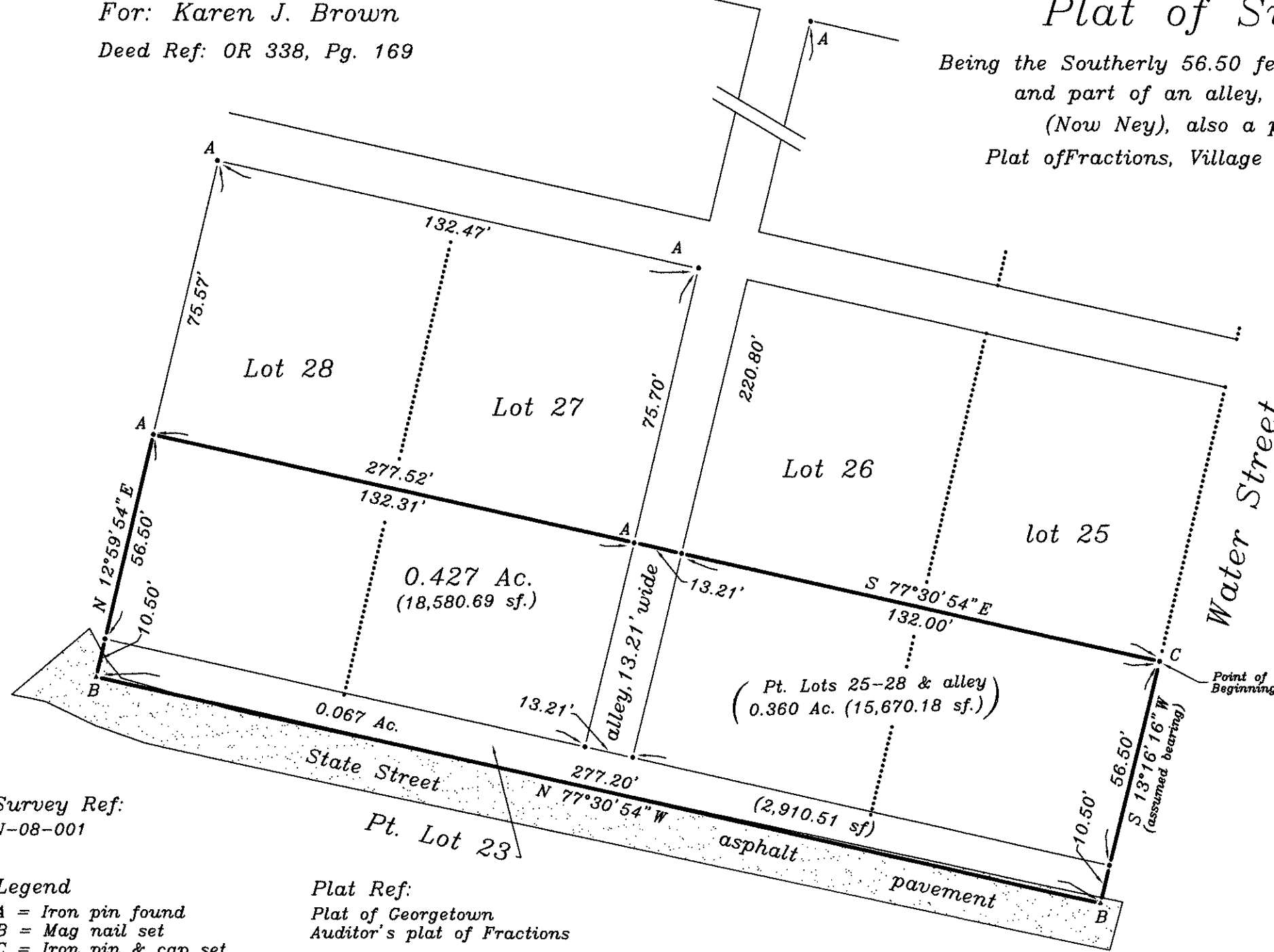


For: Karen J. Brown
 Deed Ref: OR 338, Pg. 169

Plat of Survey

Being the Southerly 56.50 feet of lots 25, 26, 27, and 28,
 and part of an alley, Original Plat of Georgetown,
 (Now Ney), also a part of Lot 23, Auditor's
 Plat of Fractions, Village of Ney, Defiance County, Ohio.



I hereby certify this survey and notes to be correct to the best of my knowledge.

Douglas W. Eis
 Douglas W. Eis
 Registered Surveyor No. 7758
 D.W. Eis Surveying
 16-883 St. Rt. 281
 Holgate, Ohio 43527
 (419) 762-5468
 July 31, 2017
 Survey No. B2671-D-VN-9-12-17

Survey Ref:
 N-08-001

Legend
 A = Iron pin found
 B = Mag nail set
 C = Iron pin & cap set

Plat Ref:
 Plat of Georgetown
 Auditor's plat of Fractions