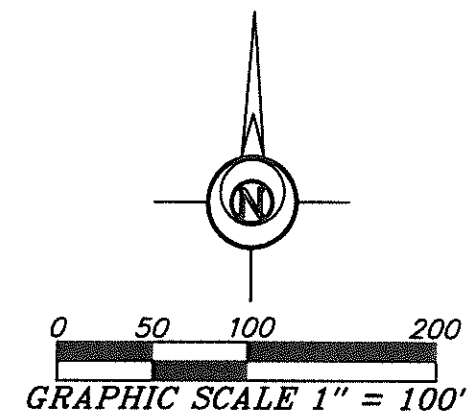


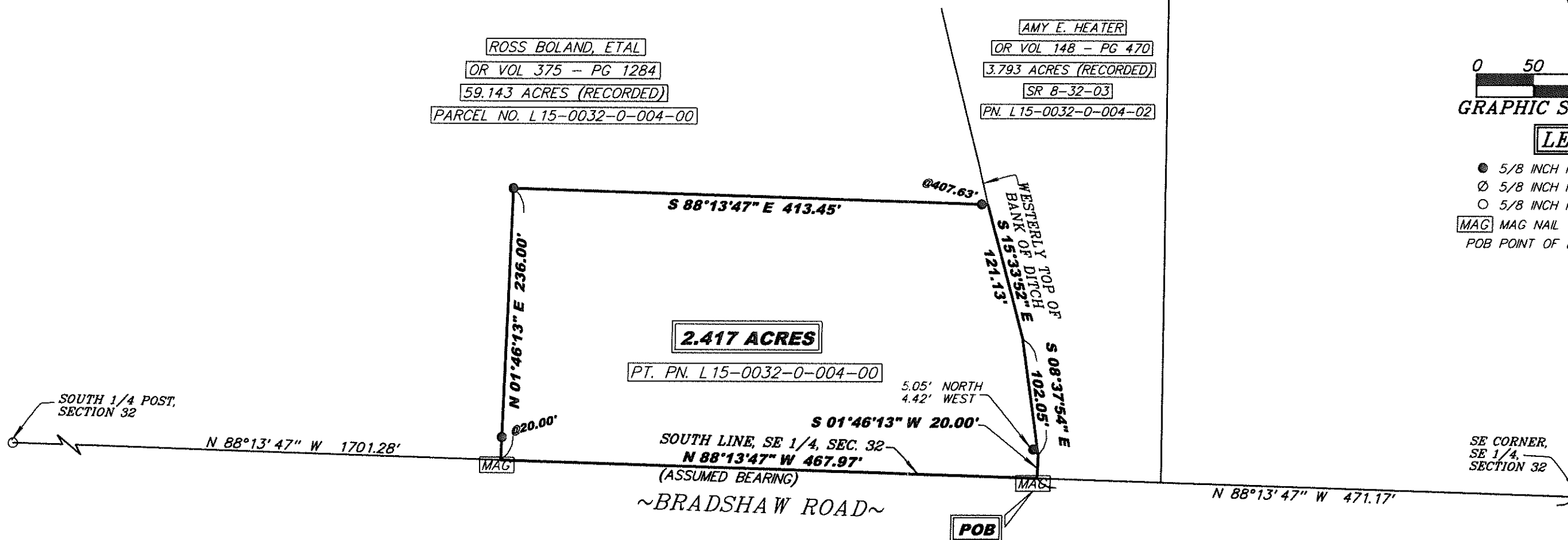
ROSS BOLAND, ETAL
 OR VOL 375 - PG 1284
 59.143 ACRES (RECORDED)
 PARCEL NO. L15-0032-0-004-00

AMY E. HEATER
 OR VOL 148 - PG 470
 3.793 ACRES (RECORDED)
 SR 8-32-03
 PN. L15-0032-0-004-02



LEGEND

- 5/8 INCH REBAR W/ID CAP SET
- 5/8 INCH REBAR W/ID CAP FOUND
- 5/8 INCH REBAR FOUND
- MAG MAG NAIL SET
- POB POINT OF BEGINNING



THIS SURVEY WAS PERFORMED WITHOUT THE BENEFIT OF A TITLE EXAMINATION. BEYOND THE DEED DOCUMENTS CITED ON THE SURVEY DRAWING THERE MAY BE RECORDED OR UNRECORDED EASEMENTS AND/OR ENCUMBRANCES BENEFITING OR ENCUMBERING THE SURVEYED PROPERTY WHICH ARE NOT SHOWN ON THIS DRAWING.

I HEREBY CERTIFY THIS TO BE A SURVEY MADE UNDER MY SUPERVISION AND THAT THE MONUMENTS ARE FOUND AND/OR SET AS INDICATED.

4-13-15
 Date

[Signature]
 Gregory A. Bockrath, P.S.
 Registered Surveyor No. 8306.
 115 S. Fair Avenue, Suite A
 Ottawa, Ohio 45875
 419-523-5789



SURVEY PLAT FOR: ROSS BOLAND

PART OF THE SOUTHEAST 1/4 OF SECTION 32, T5N- R3E, WASHINGTON TOWNSHIP, DEFIANCE COUNTY, OHIO

Bockrath & Associates
 Engineering and Surveying, LLC
 115 S. Fair Avenue, Suite A - Ottawa - Ohio
 Phone: 419.523.5789

08-32-14